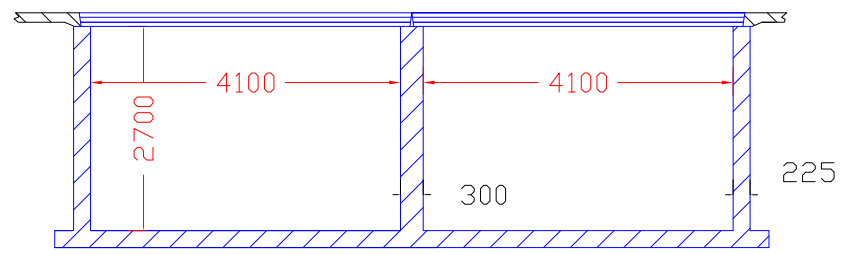
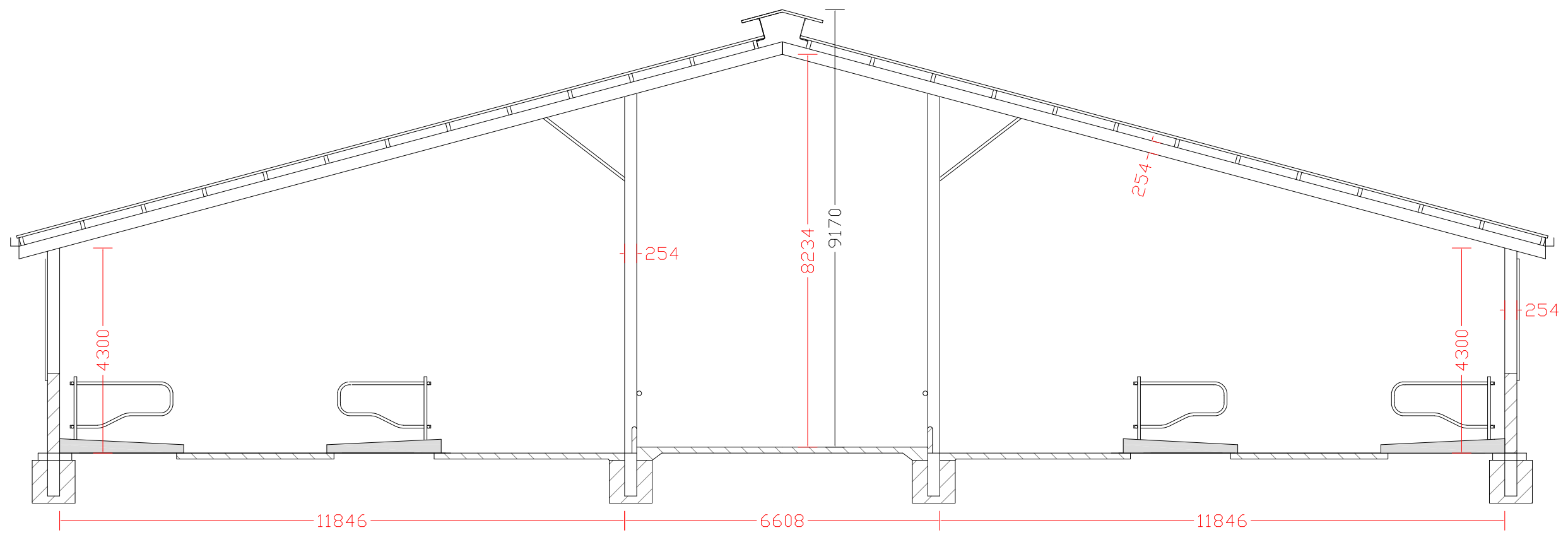


Dimensions in mm  
Scale 1:150 @ A3

Main TAMS 2 dimensions in red

Figure 1 - Plan view of Cow Cubicle House



Dimensions in mm  
 Scale 1:100 @ A3

Main TAMS 2 dimensions in red

Figure 1 - Section views of Dairy Unit